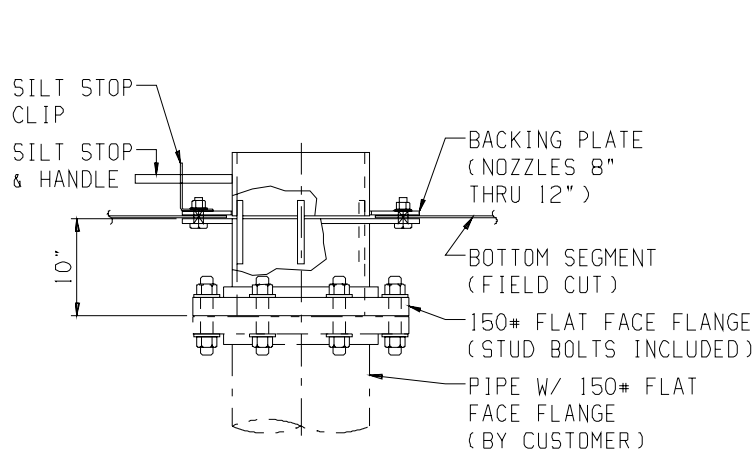


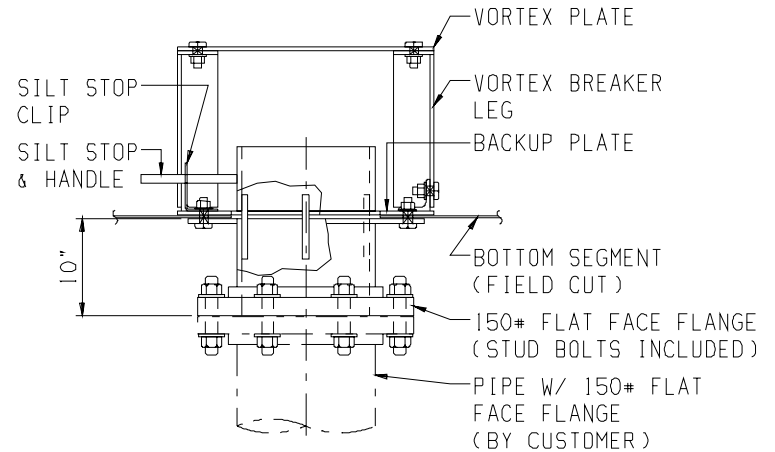
TYPICAL BOTTOM PENETRATION DETAIL

OPENING IN BOTTOM SEGMENT FIELD LOCATED AND CUT
NOTE: PVC PIPING IS NOT RECOMMENDED BY CTT DUE
TO IMPOSED STRESSES



TYPICAL BOTTOM PENETRATION DETAIL
WITH SILT STOP

OPENING IN BOTTOM SEGMENT FIELD LOCATED AND CUT
NOTE: PVC PIPING IS NOT RECOMMENDED BY CTT DUE
TO IMPOSED STRESSES



TYPICAL BOTTOM PENETRATION DETAIL
WITH SILT STOP AND VORTEX BREAKER PLATE

OPENING IN BOTTOM SEGMENT FIELD LOCATED AND CUT
NOTE: PVC PIPING IS NOT RECOMMENDED BY CTT DUE
TO IMPOSED STRESSES