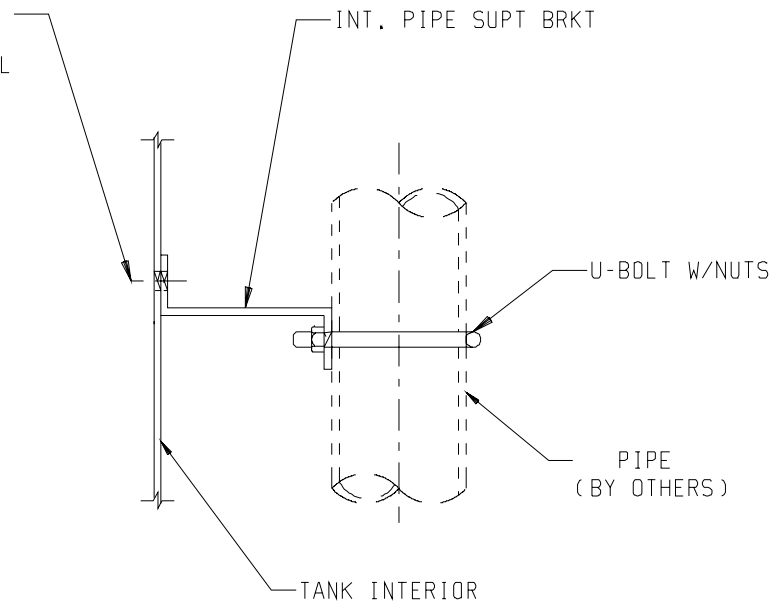


USE 1/2"Ø X 1 1/2"LG.  
BOLTS, NUTS & COMB.  
WASHERS (FIELD LOCATE & DRILL  
9/16" HLS)



DETAIL INTERIOR PIPE SUPT. BRKT